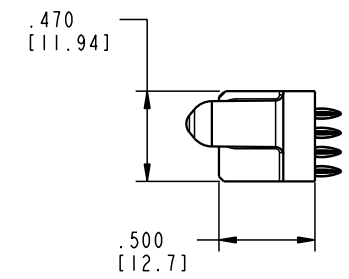
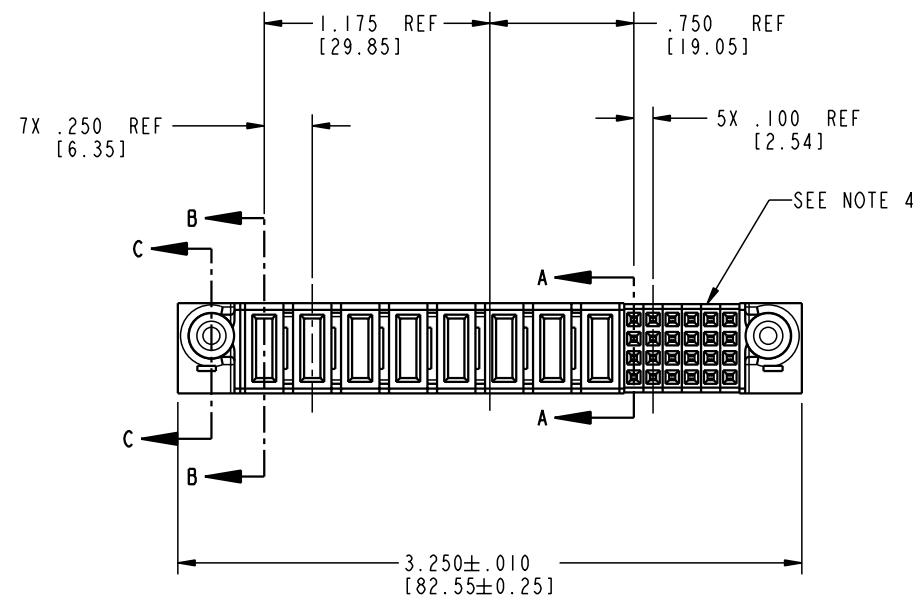


Tous droits strictement réservés. Reproduction ou communication o des liers interdite sous quelque forme que ce soit sans autorisation écrite du propriétaire. Propriete de c FCI. Droits de reproduction FCI.



All rights strictly reserved. Reproduction or issue to third parties in any form whenever is not permitted without written authority from the proprietor. Property of FCI. Copyright FCI.

PRODUCT NO.	ROWS	POWER								SIGNAL					E1		
		E2	P8	P7	P6	P5	P4	P3	P2	P1	6	5	4	3		2	1
51741-10002408CC	D C B A		PC	PC	PC	PC	PC	PC	PC	PC	F	F	F	F	F	F	



CODE	DIM "M" MATING LENGTH	CONTACT TYPE
F	N/A [N/A]	SIGNAL
PC	.042 [1.07]	POWER

mat'l code				SEE NOTE 2		tolerances unless otherwise specified		CUSTOMER		ELECTRONICS www.fciconnect.com	
ltr	ecn no.	dr	date	linear	.XX±.01/0.XX±0.3		COPY		title 24S + 8P VERTICAL PRESSFIT RECEPTACLE		
A	V12525	DAI	11-12-01		.XXX±.005/0.XX±0.13		projection				
					.XXX±.0020/0.XXX±0.051		INCH/MM scale 1:1				
				angles	0° ± 2°				product family		code
				dr	D. INGRAM	11-12-01			PwrBlade		213
				engr	J. ALLISON	11-12-01			size		sheet
				chr	J. ALLISON	11-12-01			A		1 of 4
				appd	J. ALLISON	11-12-01			51741-10002408CC		
sheet index		revision sheet		A	A	A	A			cage code	
1		2		3	4					22526	

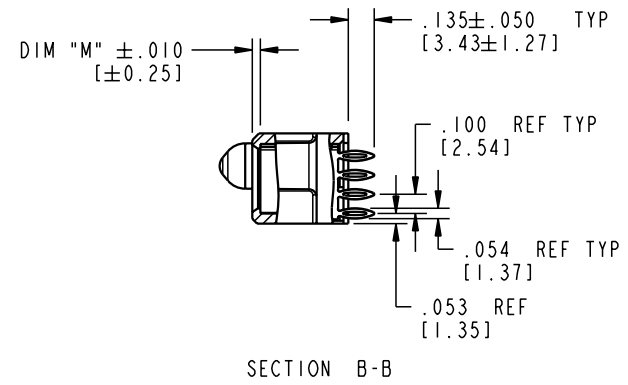
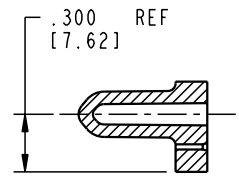
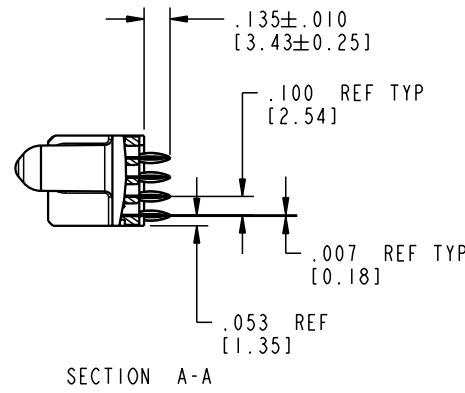
Pro/E 3 cage code 22526 4

Tous droits strictement reserves. Reproduction ou communication a des tiers interdite sous quelque forme que ce soit sans autorisation écrite du propriétaire. Propriete de c FCI. Droits de reproduction FCI.



All rights strictly reserved. Reproduction or issue to third parties in any form whatever is not permitted without written authority from the proprietor. Property of FCI. Copyright FCI.

PRODUCT NUMBER
51741-10002408CC



mat'l code				SEE NOTE 2		tolerances unless otherwise specified		CUSTOMER		ELECTRONICS www.fciconnect.com	
ltr	ecn no.	dr	date	linear	.XX ± .01 / 0.X ± 0.3		COPY		title 24S + 8P VERTICAL PRESSFIT RECEPTACLE		
A					.XXX ± .005 / 0.XXX ± 0.13		projection				
					angles	.XXXX ± .0020 / 0.XXX ± 0.051					
		dr			D. INGRAM	11-12-01	INCH/MM 		product family		code
		enr			J. ALLISON	11-12-01	scale		PwrBlade		213
		chr			J. ALLISON	11-12-01	1:1		size		sheet
		appd			J. ALLISON	11-12-01			A		2
sheet index		revision sheet									

Pro/E

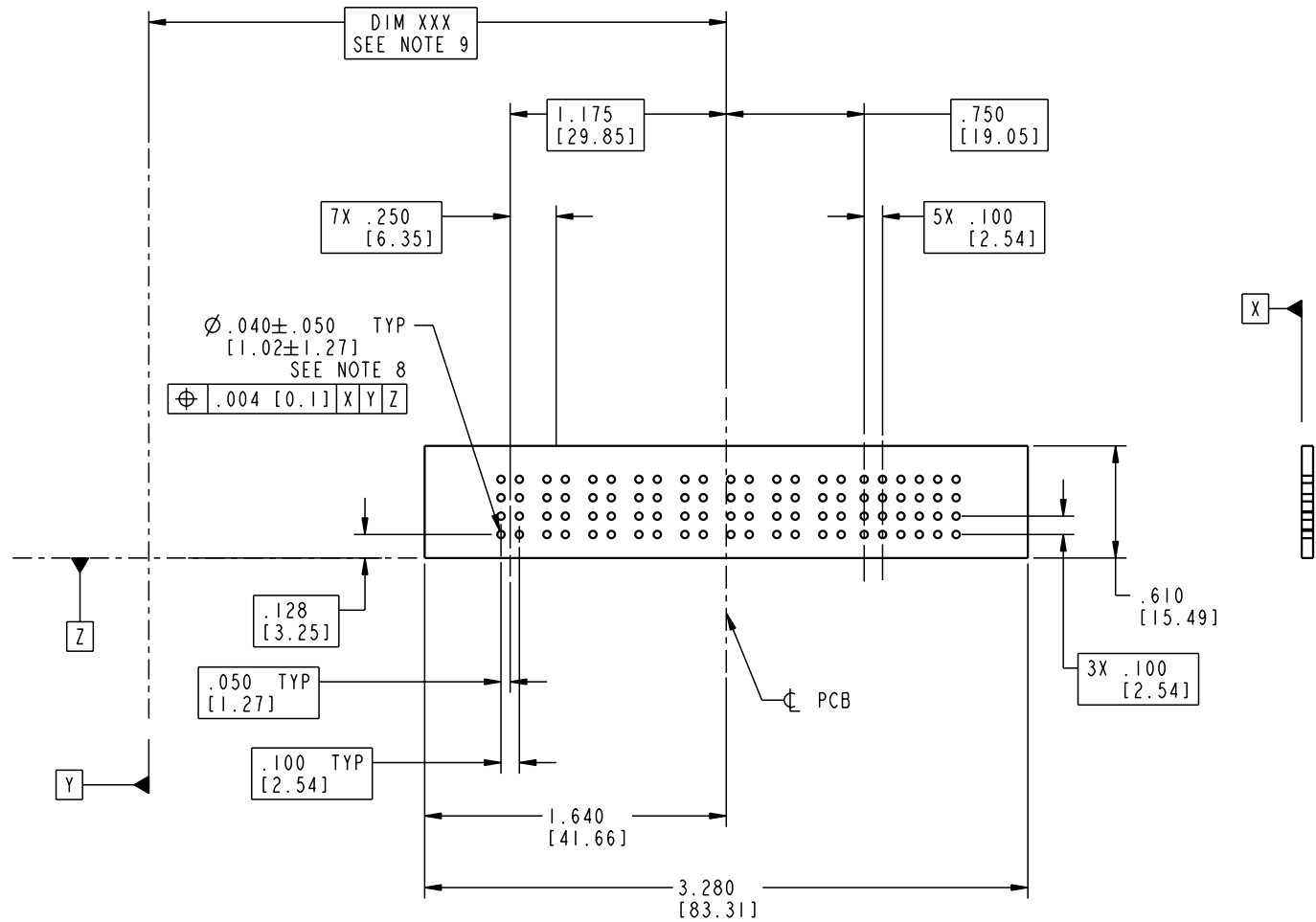
cage code 22526

Tous droits strictement réservés. Reproduction ou communication o des tiers interdite sous quelque forme que ce soit sans autorisation écrite du propriétaire. Propriete de c FCI. Droits de reproduction FCI.



All rights strictly reserved. Reproduction or issue to third parties in any form whatever is not permitted without written authority from the proprietor. Property of FCI. Copyright FCI.

PRODUCT NUMBER
51741-10002408CC



mat'l code				SEE NOTE 2		tolerances unless otherwise specified		CUSTOMER		ELECTRONICS www.fciconnect.com	
ltr	ecn no.	dr	date	linear	.XX ± .01 / 0.XX ± 0.3		COPY		 INCH/MM scale 1:1	title	
A					.XXX ± .005 / 0.XXX ± 0.13		projection			24S + 8P	
					.XXX ± .0020 / 0.XXX ± 0.051					VERTICAL PRESSFIT RECEPTACLE	
				angles	0° ± 2°				product family		
				dr	D. INGRAM	11-12-01	INCH/MM		PwrBlade		code
				engr	x. xxxxxx	mm/dd/yy	scale		size		213
				chr	J. ALLISON	11-12-01			dwg no		sheet
				appd	J. ALLISON	11-12-01			A 51741-10002408CC		3
sheet index		revision sheet									

Pro/E

cage code 22526

Tous droits strictement réservés. Reproduction ou communication o des tiers interdite sous quelque forme que ce soit sans autorisation écrite du propriétaire. Propriete de c FCI. Droits de reproduction FCI.



All rights strictly reserved. Reproduction or issue to third parties in any form, whenever is not permitted without written authority from the proprietor. Property of FCI. Copyright FCI.

PRODUCT NUMBER
51741-10002408CC

NOTES:

1. DIMENSIONS AND TOLERANCES ARE IN ACCORDANCE WITH ASME Y14.5M, 1994 UNLESS OTHERWISE SPECIFIED.

CONNECTORS NOTES:

② HOUSING MATERIAL: UL 94 V-0 GLASS FILLED HIGH TEMP THERMO PLASTIC
POWER CONTACT MATERIAL: COPPER ALLOY
SIGNAL PIN MATERIAL: COPPER ALLOY

3. PLATING:

SIGNAL PINS: 30u"/0.76um Au OVER 50u"/1.27um Ni
POWER CONTACTS: 50u"/1.27um Ni UNDER ALL WITH 30u"/0.76um Au ON CONTACT AREA AND SnPb ON PCB INTERFACE

④ "MANUFACTURER" NAME, P/N, AND DATE CODE TO APPEAR ON THIS SURFACE.

5. PRODUCT SPECIFICATION GS-12-149.

PCB - NOTES:

6. ALL HOLE DIAMETERS ARE FINISHED HOLE SIZE.

⑦ HOLD DOWN THROUGH HOLES ARE UNPLATED.

⑧ $\varnothing .0453 \pm 0.0010$ [1.151 \pm 0.025] DRILLED HOLES PLATED WITH 0.0003 [0.008] MIN SnPb OVER .001 [0.03] TO .003 [0.08] Cu PLATING TO ACHIEVE $\varnothing .040 \pm .003$ [1.02 \pm .07] HOLE.

⑨ "DIM XXX" TO BE DETERMINED BY THE CUSTOMER.

mat'l code				SEE NOTE 2		tolerances unless otherwise specified		CUSTOMER		ELECTRONICS www.fciconnect.com	
ltr	ecn no.	dr	date	linear	.XX±.01/0.X±0.3		COPY		title 24S + 8P VERTICAL PRESSFIT RECEPTACLE		
A					.XXX±.005/0.XX±0.13		INCH/MM				
				angles	.XXX±.0020/0.XXX±0.051		scale 1:1		product family		code
				dr	D. INGRAM	11-12-01	A		PwrBlade		213
				engr	x. xxxxxx	mm/dd/yy			size		sheet
				chr	J. ALLISON	11-12-01			A		4
				appd	J. ALLISON	11-12-01			51741-10002408CC		
sheet index		revision sheet									

cage code 22526

Pro/E

PDM: Rev:A

STATUS: Released

Printed: Aug 14, 2007